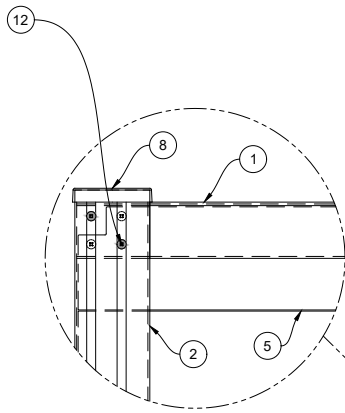
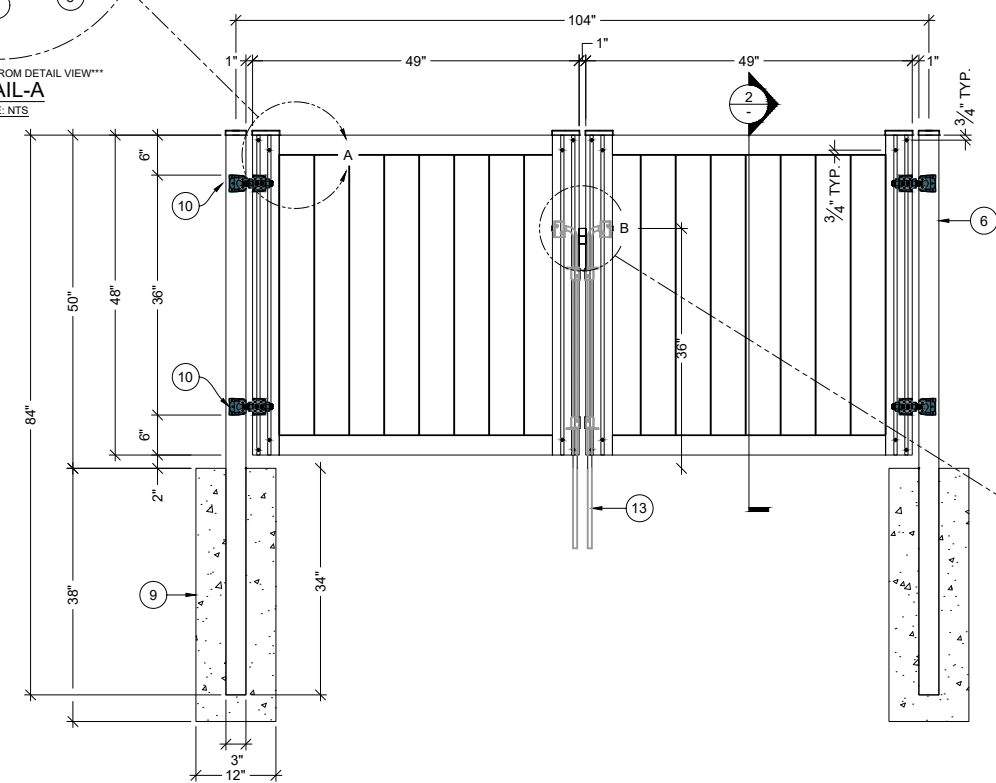


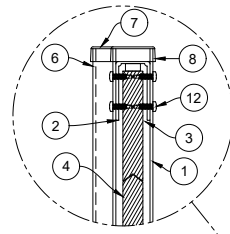
3 PLAN VIEW
SCALE: 1/2" = 1'-0"



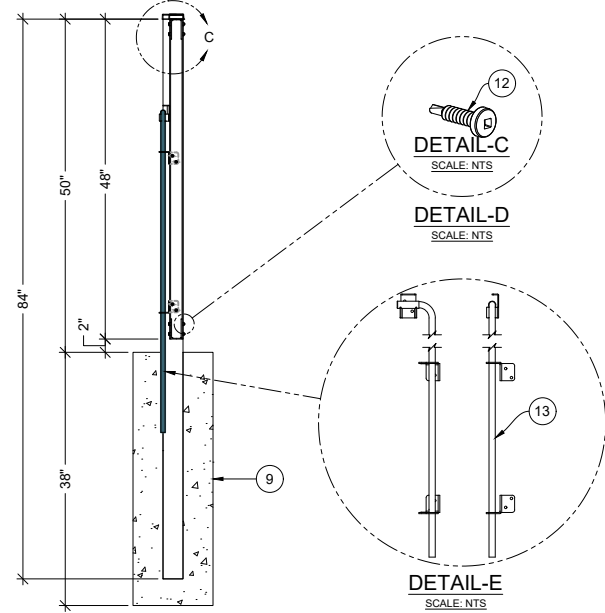
DETAIL-A
SCALE: NTS



1 FRONT ELEVATION VIEW
SCALE: 1/2" = 1'-0"



DETAIL-B
SCALE: NTS



2 SECTION
SCALE: 1/2" = 1'-0"

BILL OF MATERIALS			
ITEM	QTY	PART NUMBER	DESCRIPTION
1	4	3" X 1-3/4" X 1/8", CHANNEL	HORIZONTAL (TOP/BTM) GATE RAIL ALUMINUM CHANNEL
2	4	4" X 2" X 1/8", CHANNEL	VERTICAL GATE FRAME ALUMINUM CHANNEL
3	N/A	CHANNELS ALLOW FOR UP TO 1" THK INFILL MATERIAL	QUANTITY MAY VARY DEPENDING ON INFILL TYPE SELECTED
4	AR	TBD - BASED ON SELECTION BELOW	INFILL EXAMPLE ILLUSTRATED: BOARDS
5	2	3" X 3" X 12GA, 9'-0" POST	GATE POST
6	2	3" X 3" CAP	GATE POST CAP
7	2	4" X 2" CAP	VERTICAL GATE FRAME CAP
8	2	12" DIAMETER CONCRETE PIER	GATE POST PIER SIZE AND DEPTH TO BE SPECIFIED BY PROJECT EOR
9	4	SS COM DUTY EMBASSY HINGES [KSS-HDEMBCHS]	GATE FRAME HINGES FOR 180° SWING (ADJUSTABLE HINGE GAP 1/2"-2 3/4"), LOAD LIMIT: 600 LBS.
10	1	SS DUAL LOCKABLE ECONOMY LATCH [KSS-DUAL]	LARGE SS DUAL ECONOMY GATE LATCH WITH 1/2" BAR
11	32	ANSI B18.6.4 - No. 12 X 1" SELF-TAPPING SCREW	STAINLESS STEEL SELF-TAPPING SCREW
12	2	RCD DROP RODS 3/8" X 48" L (P/N: KMS-34DR)	OPTIONAL: COMMERCIAL HEAVY DUTY DROP RODS 1" X 48" L (P/N: KMS-HDEMBDR)

PLEASE CHECK MARK BOX FOR INFILL SELECTION

- LUXECORE COMPOSITE
- ULTRABLEND PVC
- CEDAR T&G
- WELDED WIRE
- METAL PANELS
- OTHER

NOTE: GATE FRAME KITS ARE POWDER COATED

- BLACK
- BRONZE
- WHITE
- SILVER

ABBREVIATIONS	
ANSI	AMERICAN NATIONAL STANDARDS INSTITUTE
CC	CENTER TO CENTER
EOR	ENGINEER OF RECORD
GA	GAUGE
H	HEIGHT
HDWE	HARDWARE
IFI	INDUSTRIAL FASTENER INSTITUTE
L	LENGTH
MAX	MAXIMUM
MIN	MINIMUM
NTS	NOT TO SCALE / DO NOT SCALE
RCD	RESIDENTIAL / COMMERCIAL STANDARD DUTY
SQ	SQUARE
THK	THICK / THICKNESS
TYP	TYPICAL
UNC	UNIFIED COURSE THREAD
W	WIDTH
AR	AS REQUIRED

DIMENSIONS ARE IN INCHES
UNLESS OTHERWISE SPECIFIED:
TOLERANCES:
FRACTIONAL ± 1/32"
ANGULAR: MACH / BEND ± 1/2°
TWO PLACE DECIMAL ± .03
THREE PLACE DECIMAL ± .005



TITLE:
DOUBLE SWING GATE 4'H X 8'W VERTICAL INFILL

PROPRIETARY AND CONFIDENTIAL
THE INFORMATION CONTAINED IN THIS
DRAWING IS THE SOLE PROPERTY OF FENCE
TRAC. ANY REPRODUCTION IN PART
OR AS A WHOLE WITHOUT THE WRITTEN
PERMISSION OF FENCE TRAC IS PROHIBITED

	NAME	DATE
DRAWN:	NLI	4-JUNE-24
REVISED:	-	-
REVISED:	-	-
MATERIAL:	STEEL/ALUMINUM	

SIZE:	DWG. NO.	REV:
B	G4X96BLK/CLR	A
SCALE: SEE DRAWING		SHEET: 1 OF 1